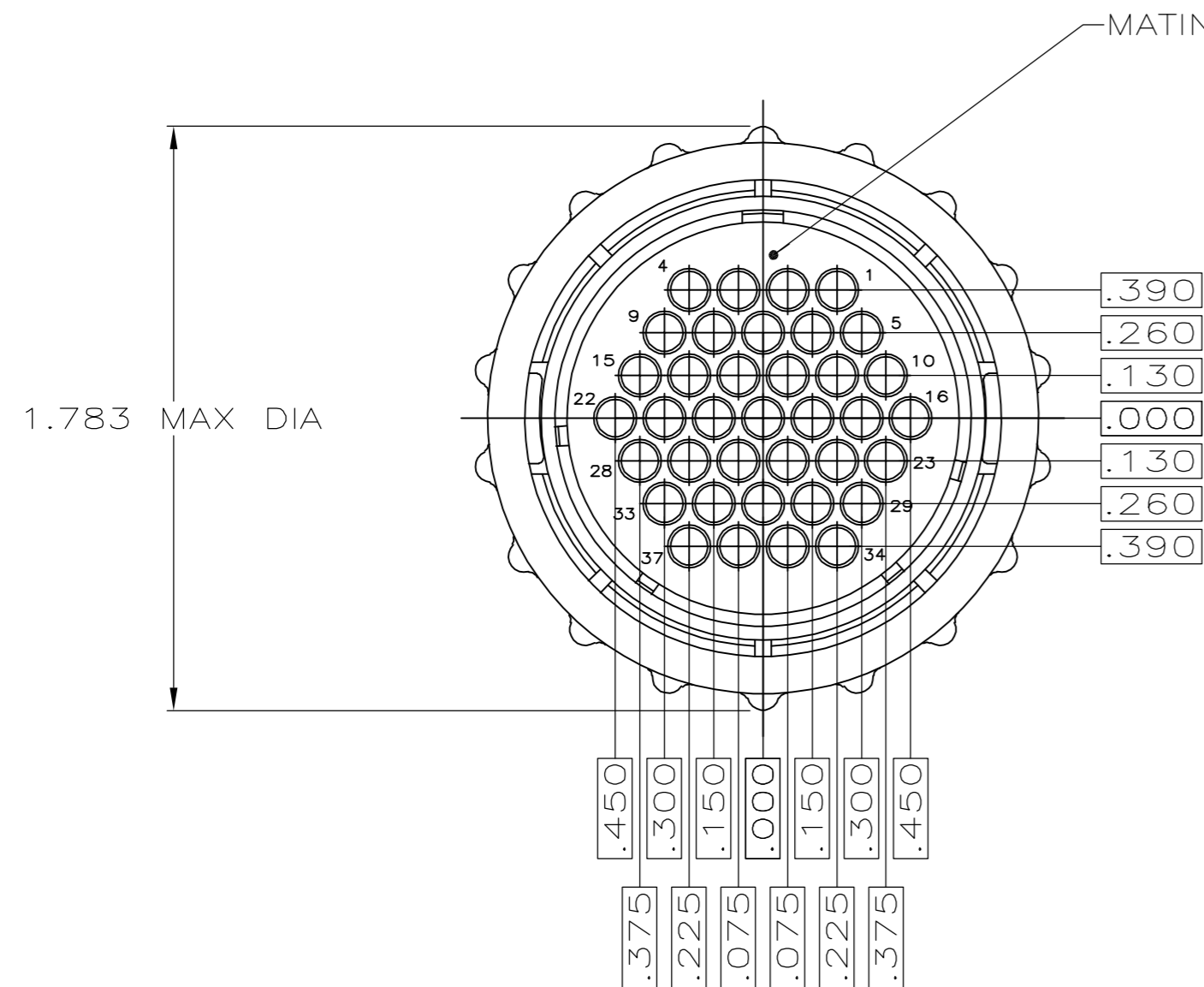
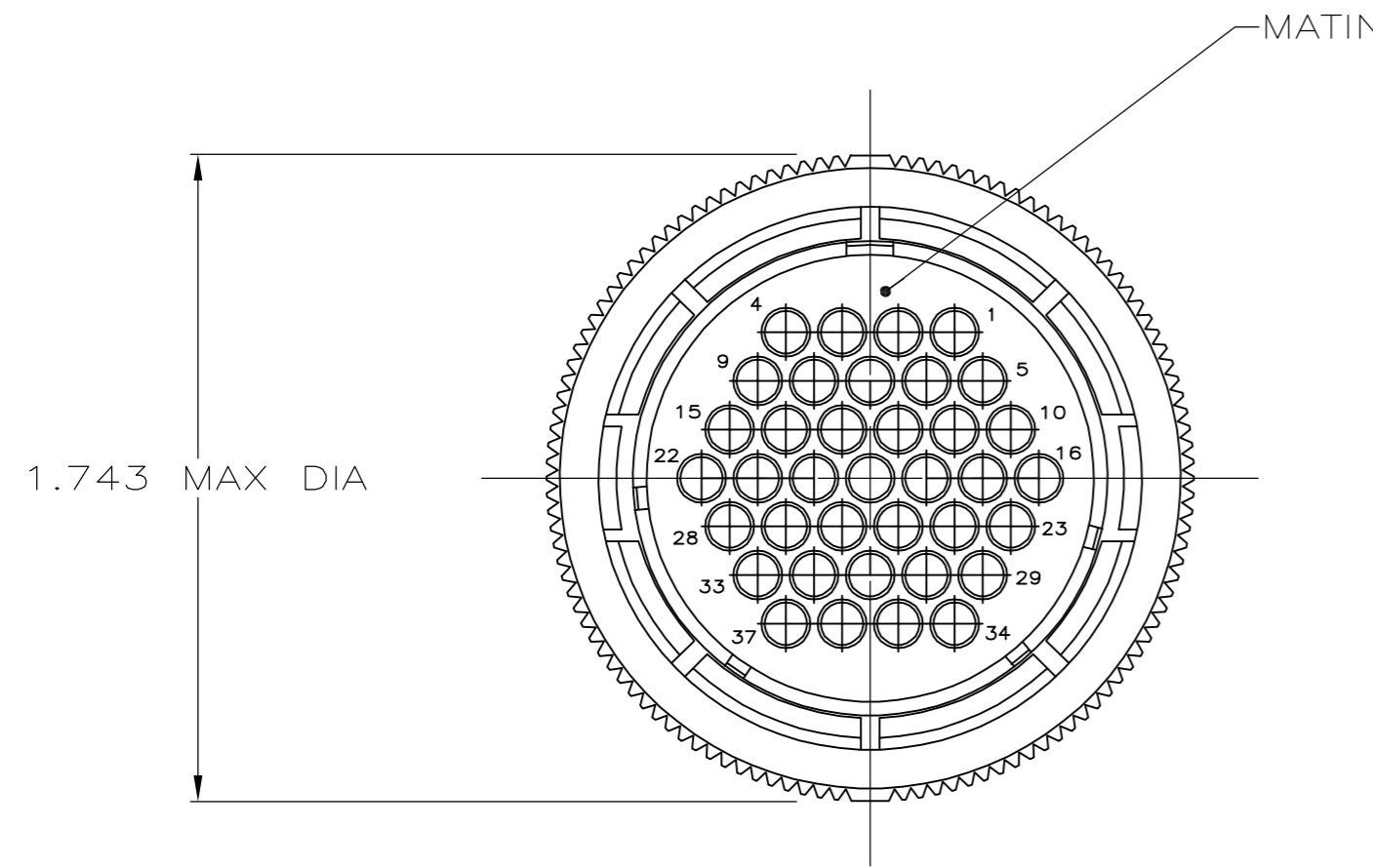
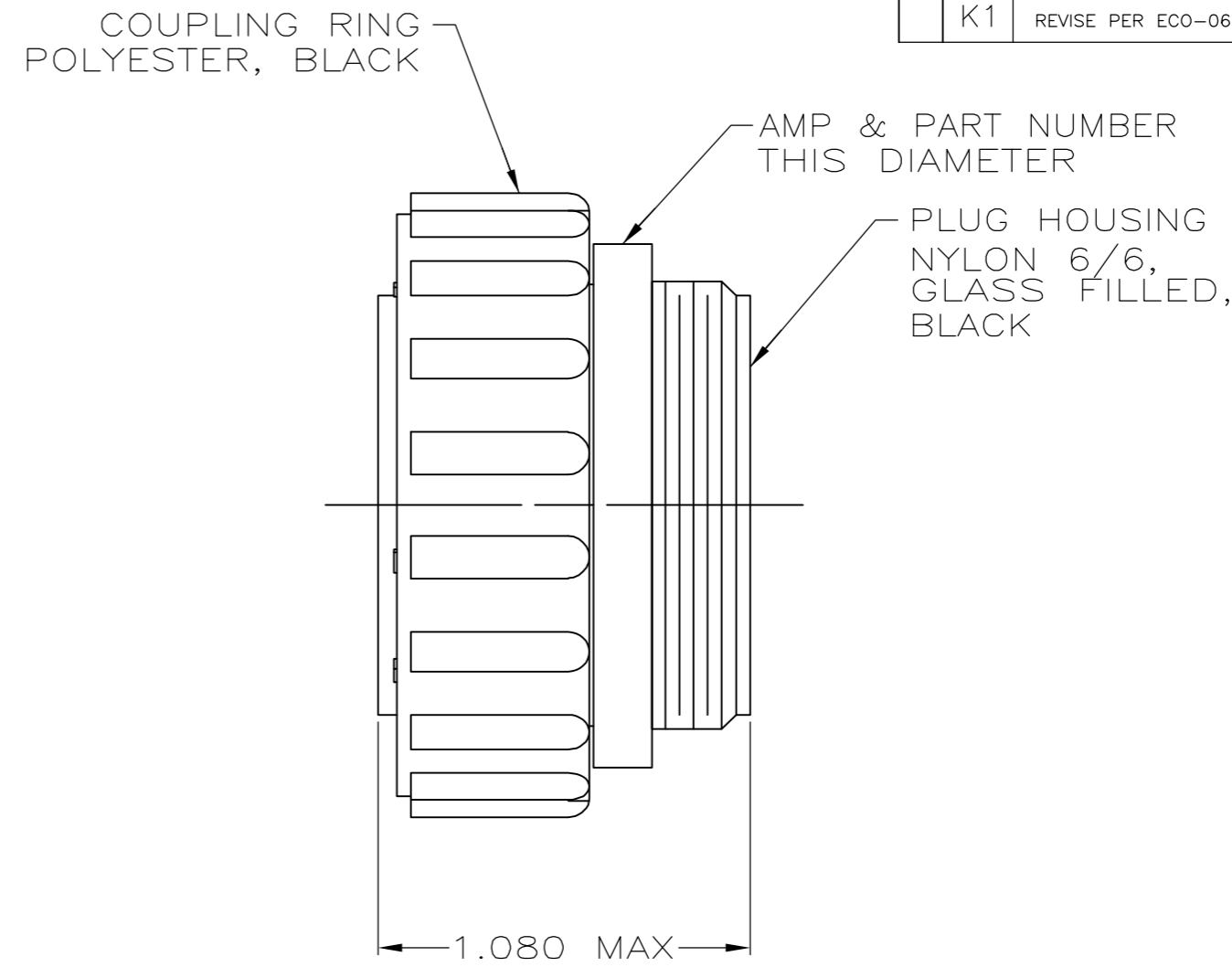


THIS DRAWING IS UNPUBLISHED. RELEASED FOR PUBLICATION
 © COPYRIGHT BY TYCO ELECTRONICS CORPORATION. ALL RIGHTS RESERVED.

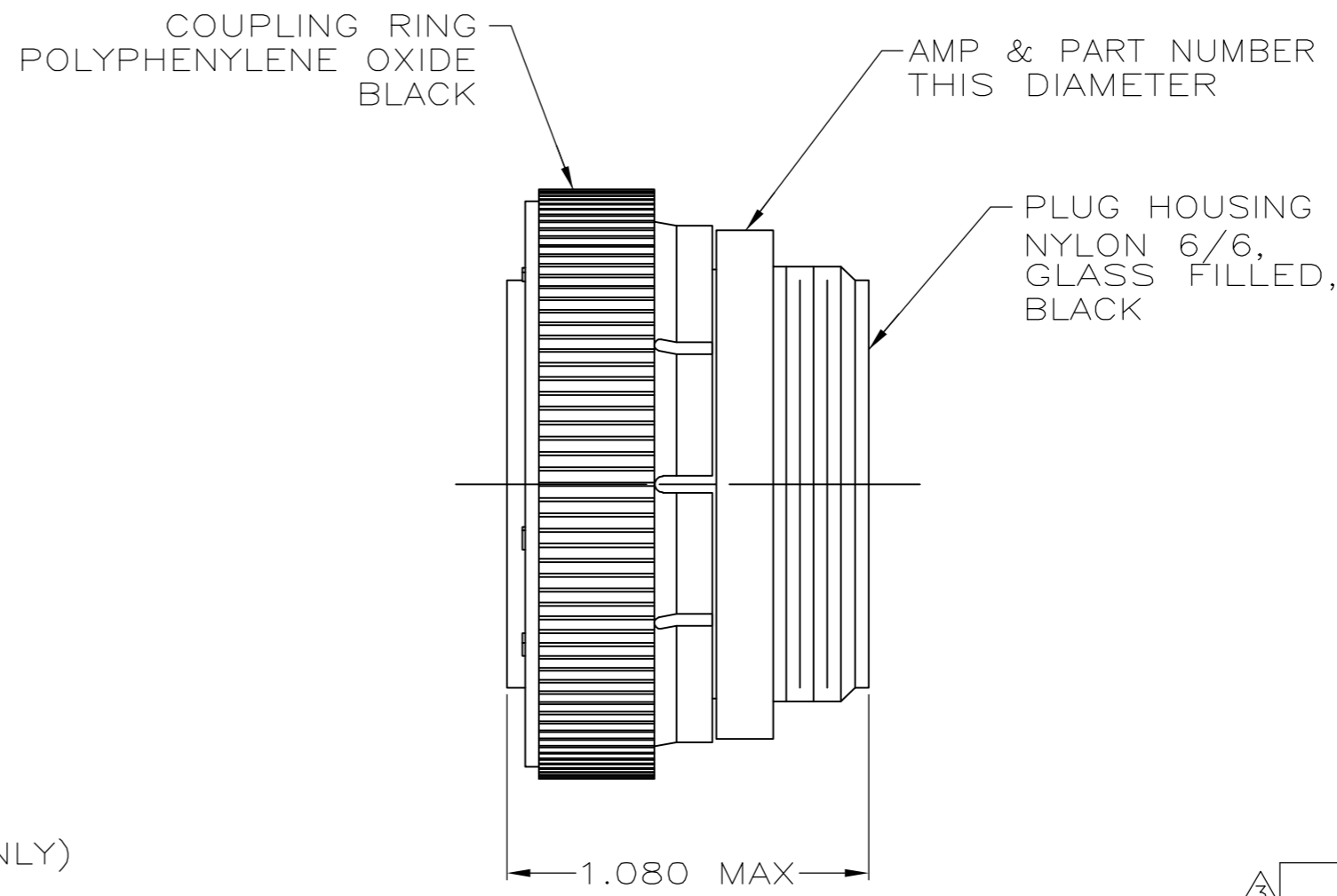
| LOC | | DIST | | REVISIONS | | | |
|-----|-----|-----------------------|---------|-----------|------|--|--|
| P | LTR | DESCRIPTION | DATE | DWN | APVD | | |
| FT | 0 | | | | | | |
| | K1 | REVISE PER ECO-06-831 | 1/17/06 | SS | GS | | |



(206150-1, -2 & -6 ONLY)



(206150-3 ONLY)



- CONTACT CAVITIES IDENTIFIED BY CHARACTERS ON FRONT AND REAR FACES OF CONNECTOR.
- THIS CONNECTOR WILL ACCEPT (37) MULTIMATE SOCKET CONTACTS.
- WHITE DOT NEAR POSITION 1 ON WIRE ENTRY FACE.

| | |
|------------|-------------|
| STANDARD | 206150-6 |
| STANDARD | 206150-3 |
| SMALL PACK | 206150-2 |
| STANDARD | 206150-1 |
| PACKAGING | PART NUMBER |

| | | | | |
|--|--|-------------------------|---|-----------------|
| THIS DRAWING IS A CONTROLLED DOCUMENT. | | DWN S.RIDGLEY BG 8/2/90 | Tyco Electronics Corporation Harrisburg, PA 17105-3608 | |
| DIMENSIONS: INCHES | | CHK R.STONE 4-26-91 | | |
| TOLERANCES UNLESS OTHERWISE SPECIFIED: | | APVD - | NAME | |
| 0 PLC ± - | | PRODUCT SPEC - | PLUG ASSEMBLY, SHELL SIZE 23, STANDARD SEX, SERIES 1, CPC | |
| 1 PLC ± - | | APPLICATION SPEC - | - | |
| 2 PLC ± - | | WEIGHT - | SIZE A2 | CAGE CODE 00779 |
| 3 PLC ± - | | CUSTOMER DRAWING | DRAWING NO C=206150 | RESTRICTED TO - |
| 4 PLC ± - | | | SCALE 2:1 | SHEET 1 of 1 |
| ANGLES ± - | | | REV K1 | |
| FINISH - | | | | |